

# DATASHEET

Name:  
Type:  
Designed by:

**PURO ECLECTIC**  
Pendant Light  
Lucie Koldova



## DESCRIPTION

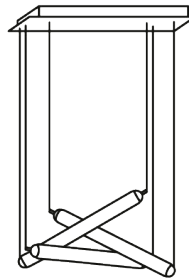
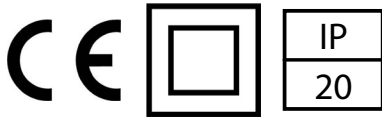
Puro is a boldly minimalistic variation on the atmospheric pendent light. Inspiration for the collection and its name comes from the Spanish word for cigar 'puro', which also alludes to the clean lines of the composition.

## TECH. DESCRIPTION

The light comprises a glass tube, LED source, and dural end caps for a compact visage. The assembly is attached to the ceiling canopy by means of the power cord fitted with a Brokis connector.



## CERTIFICATES



Product ID: PC1114

### Puro Eclectic 800

22 kg  
Glass, metal  
2,000 mm  
Ceiling  
Indoor

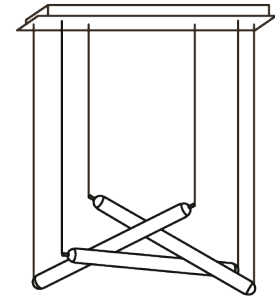
## CONSTRUCTION SPECIFICATIONS

Weight:  
Construction material:  
Cord Length:  
Mounting:  
Environment:

## ELECTRICAL SPECIFICATIONS

Input voltage [V]:  
Frequency [Hz]:  
Max. power [W]:  
Coverage IP:  
Socket:  
Light source:  
Energy class:

100 - 240 V  
50-60 Hz  
45 W  
20  
-  
non-user replaceable LED module  
A+



Product ID: PC1115

### Puro Eclectic 1000

30 kg  
Glass, metal  
2,000 mm  
Ceiling  
Indoor

100 - 240 V  
50-60 Hz  
60 W  
20  
-  
non-user replaceable LED module  
A+



# DATASHEET

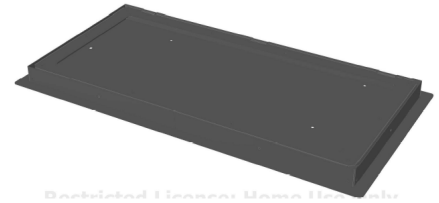
Name:  
Type:  
Designed by:

PURO ECLECTIC 800  
Pendant Light  
Lucie Koldova

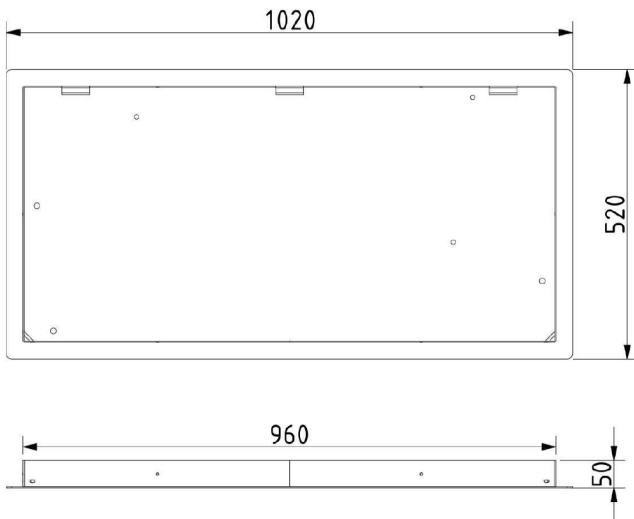


## CEILING CANOPY

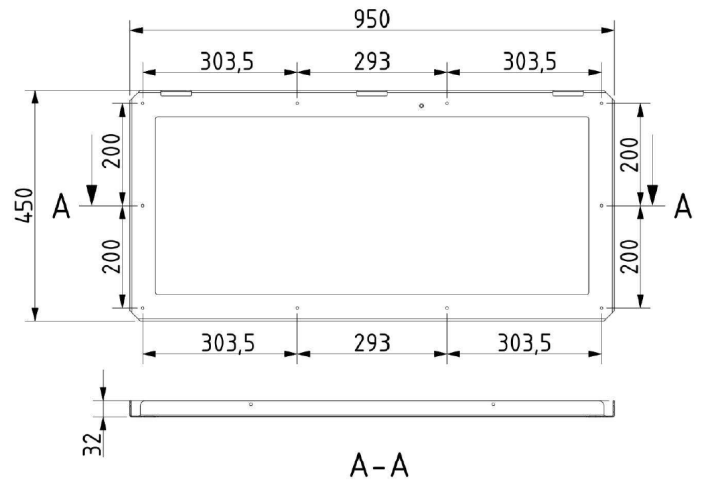
Dimensions  $\varnothing$  x w [in/mm] 40.15" x 20.47" x 2" / 1020 x 520 x 50 mm  
Weight [kg] 13.5 kg  
Material metal



## Drawing



## Canopy bracket



# DATASHEET

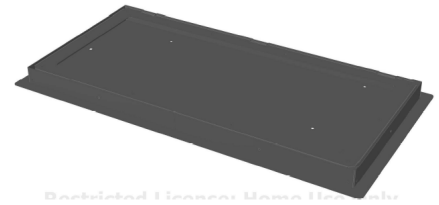
Name:  
Type:  
Designed by:

PURO ECLECTIC 1000  
Pendant Light  
Lucie Koldova

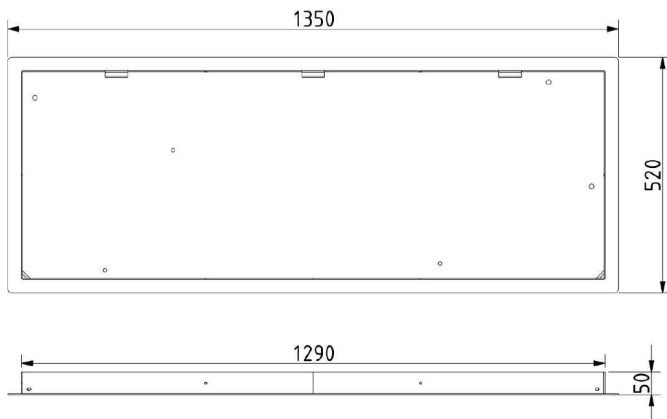


## CEILING CANOPY

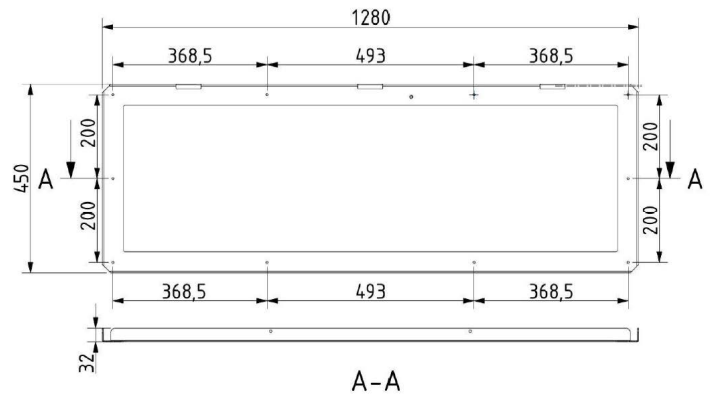
Dimensions  $\varnothing$  x w [in/mm] 52" x 20.47" x 2" / 1320 x 520 x 50 mm  
Weight [kg] 17.5 kg  
Material metal



## Drawing



## Canopy bracket



# DATASHEET

Name:  
Type:  
Designed by:

**PURO ECLECTIC**  
Pendant Light  
Lucie Koldova



## PRODUCT DETAILS

### Glass Colour

Triplex opal	A	CGC39
Dark grey-opaline	B	CGC1507

### Glass Surface

Acid-etched both side surface	A	CGSU881
-------------------------------	---	---------

### Body Finish

Metal - black matte powder coating	A	CCS846
Metal - white matte powder coating	A	CCS845

### Canopy finish

Trimless - cable version - white structure	A	CCSC2903
Trimless - cable version - black structure	A	CCSC2904

### Cable colour

Textile cable - Black	A	CECL519
Textile cable - white	A	CECL521

### LED Source

800mm, 24V, LED, 18W, 2700K, 1530lm, RA90, DIM	A	LEDS1929
800mm, 24V, LED, 18W, 4000K, 1695lm, RA90, DIM	A	LEDS1930
800mm, 24V, LED, 18W, 5000K, 1810lm, RA90, DIM	A	LEDS1931
1000mm, 24V, LED, 25W, 2700K, 1910lm, RA90, DIM	A	LEDS1932
1000mm, 24V, LED, 25W, 4000K, 2115lm, RA90, DIM	A	LEDS1933
1000mm, 24V, LED, 25W, 5000K, 2260lm, RA90, DIM	A	LEDS1934